

Patents, Designs, and Trade Marks

SUPPLEMENT

TO THE

NEW ZEALAND GAZETTE

OF

THURSDAY, OCTOBER 19, 1911.

Published by Authority.

WELLINGTON, THURSDAY, OCTOBER 19, 1911.

CONTENTS.

	Page
International and Intercolonial Arrangements for the Mutual Protection of Patents and Trade Marks ..	3131
Applications for Letters Patent filed	3132
Complete Specifications filed after Provisionals ..	3133
Complete Specifications accepted	3133
Provisional Specifications accepted	3135
Letters Patent sealed	3135
Letters Patent on which Fees have been paid ..	3135
Subsequent Proprietors of Letters Patent registered	3136
Application for Letters Patent opposed	3136
Applications for Letters Patent abandoned ..	3136
Applications for Letters Patent void	3136
Applications for Letters Patent lapsed	3136
Letters Patent void	3136
Designs expired	3137
Applications for Trade Marks filed	3137
Applications for Registration of Trade Marks ..	3137
Trade Marks registered	3139
Trade Mark Renewal Fees paid	3139
Subsequent Proprietors of Trade Marks registered ..	3140
Trade Marks removed from the Register	3140
Trade Mark restored to the Register	3140

International and Intercolonial Arrangements for the Mutual Protection of Patents and Trade Marks.

INTERNATIONAL CONVENTION.

THE following countries now belong to the Convention :—

Australia.	Hungary.
Austria.	Italy.
Belgium.	Japan.
Brazil.	Mexico.
Ceylon.	New Zealand.
Cuba.	Norway.
Denmark and Faroe Islands.	Portugal, with the Azores and Madeira.
Dominican Republic.	Servia.
France, with Algeria and colonies.	Spain.
Germany.	Sweden.
Great Britain.	Switzerland.
Holland, with East Indian colonies, Curaçoa, and Surinam.*	Trinidad and Tobago.
	Tunis.
	United States of America.

* Trade marks only.

Separate arrangements have been made between Australia and New Zealand.

Particulars of the Convention and of such arrangements may be seen in the following *Gazettes* :—

Notification of adhesion of New Zealand to the Convention, with text thereof (in English), in the *Gazette* of 26th November, 1891; notification of adherence of New Zealand to the Additional Act of the Convention, in Patents Supplement to *Gazette* No. 101, of the 16th November, 1905; Order in Council applying section 103 of the Imperial Act to New Zealand, in *Gazette* No. 27, of the 15th May, 1890; Orders in Council containing arrangements between Australia and New Zealand, in Patent Supplements to the *Gazette* Nos. 22, of the 9th March, 1905, and 38, of the 20th April, 1905.

Applications for Letters Patent filed.

LIST of applications for Letters Patent filed. (Where a complete specification accompanies an application an asterisk is affixed; in all other cases a provisional specification has been lodged. In all cases where the applicant is not the inventor the name of the latter appears in italics in brackets. † Denotes an application under the International and Intercolonial Arrangements.)

Grigg, F. W., Auckland, N.Z.	Wool-fat extracting; 30276; 29th September.
Gossling, P. J., Wellington, N.Z.	Advertising*; 30277; 29th September.
Fibbes, A., Timaru, N.Z.	Road-grader; 30278; 29th September.
Clyma, J. A. C., Timaru, N.Z.	Road-grader; 30278; 28th September.
Bridge, E. H., Spotswood, Vic.	Telephone call recorder*; 30279; 28th September.
Beck, G. V., Wellington, N.Z.	Advertising-book hanger; 30280; 29th September.
Munn, D. H., Te Aute, N.Z.	Medicine; 30281; 29th September.
Salmon, J. B., Dunedin, N.Z.	Skiving-machine cutter, mounting; 30282; 28th September.
Rov, E. W., Dunedin, N.Z.	Skiving-machine cutter, mounting; 30282; 28th September.
Abbott, T. M., Christchurch, N.Z.	Puonograph-attachment; 30283; 29th September.
Wilson, J. F., Dunedin, N.Z.	Variable-speed gear; 30284; 29th September.
International Harvester Company, Chicago, U.S.A. (<i>Johnston, E. A., and Longenecker, C. I.</i>)	Internal-combustion engine*; 30285; 29th September.
Harvey, N., Wellington, N.Z.	Electric-lamp holder; 30286; 2nd October.
Marks, W., Melbourne, Vic. (<i>Park, R. T.</i>)	Chaff-cutter feed-roller and fish, &c., chopper*; 30287; 24th October, 1910.†
Fry, R. J., Kensington, Vic.	Horse-shoe machine*; 30288; 21st February.†
Fry, R. J., Kensington, Vic.	Horse-shoe-shaping machine*; 30289; 1st April.†
Clarkson, W., Hamilton, N.Z.	Fencing-wire attaching; 30290; 2nd October.
Wright, A. H., Auckland, N.Z.	Advertising; 30291; 30th September.
McKenzie, D. G. S., Christchurch, N.Z.	Money-box; 30292; 2nd October.
Wright, A. H., Dunedin, N.Z.	Advertising; 30293; 30th September.
Lunn, J., Dunedin, N.Z.	Gasometer-foundation; 30294; 30th September.
Bewley, T. H., Auckland, N.Z. (<i>Tregilgas, J.</i>)	Fire-kindler; 30295; 3rd October.
Fraser, W. A., Auckland, N.Z. (<i>Tregilgas, J.</i>)	Fire-kindler; 30295; 3rd October.
Cairns, J., Walsall, Eng.	Tire*; 30296; 3rd October.
Rayner, F. R., Auckland, N.Z.	Advertising; 30297; 3rd October.
Hurlev, D. J., Sale, Vic.	Door-holder; 30298; 3rd October.
Reid, J., Wanganui, N.Z.	Tire-tube; 30299; 3rd October.
Barratt, M., Mosgiel, N.Z.	Railway fish-plate; 30300; 4th October.
Logan, W. S., Dunedin, N.Z.	Water-mill*; 30301; 4th October.
White, G. D., Dunedin, N.Z.	Paper-cooker*; 30302; 2nd October.
Hayes, E., Otarehua, N.Z.	Wire-coiler*; 30303; 2nd October.
Chudleigh, J., Haberfield, N.S.W.	Brake-valve*; 30304; 23rd January.†
Fell, J. W., Sydney, N.S.W.	Brake-valve*; 30304; 23rd January.†
Falkiner, R. S., Melbourne, Vic. (<i>Boll, P.</i>)	Sheep-shearing-machine gear*; 30305; 24th November, 1910.†
Pennington, H. G., Abbotsford, Vic.	Teat-cup*; 30306; 24th January.†
Reimann, C., Sydney, N.S.W.	Door-check, &c.*; 30307; 27th October, 1910.†
Holmes, G. G., jun., Pigeon Bay, N.Z.	Tobacco-pipe attachment; 30308; 3rd October.
Pickering, H. J. H., Wellington, N.Z.	Cap*; 30309; 5th October.
Hopkinson, P., Auckland, N.Z.	Paint; 30310; 5th October.
Evans, F. T. F., Auckland, N.Z.	Harrow; 30311; 6th October.
Clapham, H., sen., Te Kuiti, N.Z.	Gas-generator; 30312; 6th October.
McKinney, A., Sydney, N.S.W.	Rabbit freezing and packing; 30313; 5th October.
Curtis, G. E., Sydney, N.S.W.	Rabbit freezing and packing; 30313; 5th October.
Curtis, O., Sydney, N.S.W.	Rabbit freezing and packing; 30313; 5th October.
Williams, W., Sydney, N.S.W.	Rabbit freezing and packing; 30313; 5th October.
Neville, H., Wellington, N.Z.	Cycle toe-clip; 30314; 6th October.
Norris, F. S., Christchurch, N.Z.	Cycle toe-clip; 30314; 6th October.
Hulbert, B. D., Auckland, N.Z.	Billiard-table; 30315; 3rd October.
Thackray, S. A., Manawaru, N.Z.	Medicine; 30316; 4th October.
Howell, J., Waipiatā, N.Z.	Wire-strainer*; 30317; 4th October.
Ridd Milking Machine Company (Limited), New Plymouth. (<i>Sutton, T. B.</i>)	Milking-machine pulsator; 30318; 6th October.
Burridge, C., Wairoa, N.Z.	Water-tank filter; 30319; 6th October.
Beagley, J., Napier, N.Z.	Scaffold-bracket*; 30320; 6th October.
Angus, W., Taradale, N.Z.	Scaffold-bracket*; 30320; 6th October.
Widerstrom, U. T. G., Port Aburiri, N.Z.	Hammock and tent*; 30321; 6th October.
Clayton, C. W., Wanganui, N.Z.	Wreck-locating buoy; 30322; 6th October.
Baker, F. G., Dunedin, N.Z.	Hatpin; 30323; 5th October.
Harrison, R. E., Kohukohu, N.Z.	Window-sash*; 30324; 7th October.
Stevens, W. P., Eltham, N.Z.	Paint-pot holder; 30325; 9th October.
Black, W. J., Timaru, N.Z.	Roofing-tile; 30326; 7th October.
Cruickshank, C. M., Timaru, N.Z.	Roofing-tile; 30326; 7th October.
Sander, E. G., Westport, N.Z.	Upholsterers' needle; 30327; 6th October.
Mander, H., Te Kaha, N.Z.	Upholsterers' needle; 30327; 6th October.
Apted, E., Westport, N.Z.	Upholsterers' needle; 30327; 6th October.
Luther, W. H., Glasgow, Scot.	Roof-light, &c.*; 30328; 6th October.
Hardley, C. E., Auckland, N.Z.	Bath-leg, detachable*; 30329; 5th October.
Baltzer, W. J., Sydney, N.S.W.	Concrete bodies, moulding*; 30330; 25th November, 1910.†
Griffiths, E. W., New Plymouth, N.Z.	Envelope; 30331; 5th October.
Scott, D., Doyleston, N.Z.	Chaff-cutter-knife sharpener*; 30332; 9th October.
United Shoe Machinery Company, Paterson, U.S.A. (<i>Covell, G. S.</i>)	Shoe-beating machine; 30333; 10th October.
McDougall, I. S., Manchester, Eng.	Sheep-dip, &c.*; 30334; 10th October.
McDougall, I., Manchester, Eng.	Sheep-dip, &c.*; 30334; 10th October.
McDougall, S., Manchester, Eng.	Sheep-dip, &c.*; 30334; 10th October.
Park, D., Otekaike, N.Z.	Hairpin; 30335; 10th October.
Weger, B. J., Napier, N.Z.	Well-boring apparatus; 30336; 10th October.
Cameron, A. J., Papakaio, N.Z.	Sheep-dip race*; 30337; 10th October.
Sanderson, R., Melbourne, Vic.	Producer-gas furnace*; 30338; 5th November, 1910.†
Theyers, D., Auckland, N.Z.	Liquid vessel and measure; 30339; 9th October.
Hill, E. P., Auckland, N.Z.	Liquid vessel and measure; 30339; 9th October.
Poulton, G. G., Auckland, N.Z.	Liquid vessel and measure; 30339; 9th October.
Parry, F., Brightwater, Can.	Fish-propagation*; 30340; 11th October.
Imlay, W. L., Philadelphia, U.S.A.	Gold-recovery from ore*; 30341; 11th October.
Lauscher, E., Hamburg, Ger.	Casain-manufacture*; 30342; 11th October.
Floessell, W. F., Sydney, N.S.W.	Rail-dog spike*; 30343; 24th November, 1910.†
Weger, B. J., Napier, N.Z.	Well-drilling plant; 30344; 11th October.

Complete Specifications filed after Provisionals.

LIST of complete specifications filed after provisional specifications from the 29th September to the 12th October, 1911, inclusive:—

- No. 28958.—J. Beadle, non-corrosive compound for protection of metals.
 No. 28959.—D. McCrae, bedding.
 No. 28973.—A. Seifert, flax-gripper.
 No. 28974.—A. Seifert, flax-blade sorter.
 No. 28986.—C. Timms, advertisement-displaying. (T. E. B. Poole.)
 No. 28987.—A. C. Robertson, A. C. Murray, and W. W. Smith, speed-controller indicator.
 No. 28990.—W. S. Lind, attaching traces to hames.
 No. 29061.—G. W. Hutchinson, internal-combustion engine.
 No. 29072.—J. Byrne, fireplace.
 No. 29075.—United Shoe Machinery Company, grinding &c., machine. (W. A. Reed and J. Foley.)
 No. 29168.—G. W. Hutchinson, sparking-regulator.
 No. 29339.—C. F. Anderson, acetylene-generator, &c.
 No. 29427.—D. H. Armstrong, milk-receiver, &c.
 No. 29433.—A. J. Hainsworth, water-heater.
 No. 29791.—A. B. Masters, car-fare collector, &c.
 No. 30238.—E. C. Reynolds, time-limit lock.

Notice of Acceptance of Complete Specifications.

Patent Office,

Wellington, 18th October, 1911.

COMPLETE specifications relating to the undermentioned applications for Letters Patent have been accepted, and are open to public inspection at this office. Any person may, at any time within two months from the date of this *Gazette*, give me notice in writing of opposition to the grant of any such patent. Such notice must set forth the particular grounds of objection, and be in duplicate. A fee of 10s. is payable thereon.

The copies of claims and extracts from the specifications and drawings are merely intended to give some further indication of the invention than is disclosed in the title, and the complete specifications and drawings should be referred to for a description of the invention.

No. 28534.—4th October, 1910.—UNITED SHOE MACHINERY COMPANY, of Paterson, in the State of New Jersey, United States of America, a corporation duly organized under the laws of said State of New Jersey, carrying on business as Shoe-machinery Manufacturers, and having a place of business at 205 Lincoln Street, Boston, in the Commonwealth of Massachusetts, in said United States of America (assignees of Matthias Brock, of 15 Woodville Street, Roxbury, Boston aforesaid, Machinist). Improvements in or relating to lasting or like machines.*

Claims.—(1.) In a lasting-machine having a last-post occupying a substantially constant position for shoes of different lengths, and a toe-lasting mechanism that is movable from and toward the post into position to operate on the shoes, the provision of a screw or the like to effect fine adjustments of said lasting-mechanism for shoes of approximately the same size, and additional means permitting adjustment for groups of sizes, substantially as described. (2.) In a lasting-machine having the screw 10 for adjusting the toe-lasting mechanism lengthwise of the machine upon the support 2, and in combination with said parts, the plate 12 upon which the lasting-mechanism is adjustable independently of the screw and held by the latches 16. (3.) In a lasting-machine, end-lasting mechanism, means for adjusting said mechanism for lengths of shoes, and additional means for permitting adjustment of said mechanism for different groups of sizes. (Specification, £3 5s.)

[NOTE.—Here follow seventy-five other claims.]

No. 28578.—13th October, 1910.—GEORGE HENRY BAYLIS, of 89 Revans Street, Wellington, New Zealand, Agent. An improvement in hair-pads and in the manufacture of the same.*

Extract from Specification.—According to my invention, human hair is first crimped or waved by passing through a crimping-machine, then plaited upon two threads, subjected to a jet of steam to thoroughly damp the hair, it is next placed under a heavy press, and from there into hot oven to dry, making a permanent wavy curl in the hair. (Specification, 1s. 3d.)

[NOTE.—The above extract from the specification is inserted in place of the claims.]

No. 28595.—14th October, 1910.—HENRY DROUTLEGE, of 47 Bermond Street, Ponsonby, Auckland, New Zealand, Engineer. Improved flexible lining for the teat-cups of milking-machines.*

Claims.—(1.) In a teat-cup, the combination with a rigid outer casing, of an inner tube having one or a plurality of longitudinal grooves or recesses in its outer circumference for the purpose of facilitating the collapse and expansion of said inner tubes, substantially as specified, and illustrated in the drawing. (2.) An inner tube for a teat-cup having longitudinal grooves or recesses in its circumferential periphery, each groove communicating with a circumferential recess formed in the top of the tube, substantially as specified, and illustrated in the drawing. (Specification, 1s. 9d.)

No. 28817.—1st December, 1910.—FREDERICK WILLIAM GEARY, of Ann Street, East Maitland, New South Wales, Australia, Plumber. An improved overflow appliance for storage-water tanks.

Claim.—A vertical slightly taper pipe B terminating at its top end in a horizontal member such as C, and at the bottom end in a bell-mouth D, and distance-pieces such as E, as and for the purposes specified. (Specification, 1s. 3d.)

No. 28843.—7th December, 1910.—UNITED SHOE MACHINERY COMPANY, of Paterson, in the State of New Jersey, United States of America, a corporation duly organized under the laws of said State of New Jersey, carrying on business as Shoe-machinery Manufacturers, and having a place of business at 205 Lincoln Street, Boston, in the Commonwealth of Massachusetts, in said United States of America (assignees of Matthias Brock, of Roxbury, in the County of Suffolk and said Commonwealth of Massachusetts, Machinist). Improvements in or relating to nail-making or like machines.*

Claim.—(1.) For a nail-making or like machine, a heading-apparatus which comprises the combination with a die and a carrier, of a sleeve adapted to hold the said die and to slide upon the carrier, and means to adjust the sleeve upon the carrier to compensate for wear. (Specification, 8s.)

[NOTE.—Here follow four other claims.]

No. 28860.—9th December, 1910.—AUGUST LYELL, of 215 Lambton Quay, Wellington, New Zealand, Inventor. Non-refillable bottle.*

Extract from Specification.—According hereto, the neck of the bottle has a stopper, comprising an internal sleeve, which is closed at the top, and kept in position by a ring of rubber, cork, or the like, fitting a circular recess in the sleeve and engaging in an internal groove in the neck of the bottle. The sleeve is provided with a valve-seat formed upon a tube which passes into the sleeve from the back, the valve being within the sleeve and having a stem guided by the tube. The top of the sleeve has a recess, and a ball within the sleeve lies in this recess when the bottle is at a certain angle, but rolls therefrom and closes the valve upon its seat when the bottle is turned to smaller angles. In a modification, three balls are employed, and an internal cone projecting from the top of the sleeve acts as a guide for the balls, one or other of which closes the valve upon its seat. (Specification, 4s. 9d.)

[NOTE.—The above extract from the specification is inserted in place of the claims.]

No. 28893.—16th December, 1910.—THOMAS KIDD, of Spey Street, Invercargill, New Zealand, Engineer. Improvements in milking-apparatus.*

Extract from Specification.—The invention as regards the pulsator consists in providing improved removable covers at each end of the pulsator, and providing a port in one of the covers and a regulating-screw therefor, whereby the duration of the squeeze of the teat-cup inflation on the teat can be regulated to suit different cows. The other regulating-screw for adjusting the rapidity of the pulsations, described in my said specifications, is also placed for a port in the same cover. These screws can be readily replaced if broken or rendered unfit for use. Other improvements relate to connections with the reservoir-can lid. The invention as regards the teat-cup is the formation of a neck on the nipple of the plate which secures the rubber-inflation at the bottom of the teat-cup, slightly bulging the inner side of the teat-cup and providing on the inside of the cap to form a chamber, all as described. (Specification, 9s. 6d.)

[NOTE.—The above extract from the specification is inserted in place of the claims.]

No. 29258.—14th April, 1910.—SIDNEY CHARLES NEWSON, of 32 Eastbourne Road, South Tottenham, Middlesex, England, Engineer. Improvements in carburetting-apparatus for internal-combustion engines.

Claim.—(1.) A carburettor for internal-combustion engines in which the air for the gaseous mixture is supplied under pressure, comprising a valve for controlling the feed of liquid

fuel from a constant supply, a valve for admitting air under pressure from an intermittent supply to the mixing-chamber, said valve being opened by the pressure of the air, and both said valves being interconnected so that the fuel-valve is opened by the air-valve, and means for varying the ratio of the opening of the fuel-valve to that of the air-valve.

(Specification, 3s.)

[NOTE.—Here follow three other claims.]

No. 29528.—30th June, 1910.†—ERNEST EDMUND BANES, of 5 The Avenue, Strathfield, near Sydney, New South Wales, Australia, Metallurgist. Improvements in the treatment of sulphide ores, for the removal of sulphur therefrom, and the production of sublimed white-lead and oxide of zinc.

Claims.—(1.) A process of manufacturing sublimed white-lead, consisting essentially in projecting pulverized lead-sulphide through a blowpipe flame into a heated oxidizing atmosphere, and separating the sublimate from the fumes-gases. . . . (6.) In the volatilization and oxidation of lead-sulphide, maintaining proportionate relation between the mineral-feed and the air-supply and the gas-supply to a furnace into which the sulphide is fed continuously in a pulverized condition and is volatilized before oxidation, by operating the mineral-feeder devices and the air- and gas-forcing devices at fixed relative speeds.

(Specification, £1 ls.)

[NOTE.—Here follow five other claims.]

No. 29708.—12th June, 1911.—SAMUEL DECIMUS CURRIE, of Te Aroha, Farmer, and HERBERT MATHIAS THORPE, of Ngaruawahia, Milk-tester, both of New Zealand. A direct milk-delivery attachment to milk-cans for use in conjunction with milking-appliances.

Claims.—(1.) A lid or cover for milk-cans constructed to make an airtight seal with the top edge of the can and formed with an aperture in its centre to receive milking-appliances, substantially as and for the purposes specified. (2.) The direct milk-delivery attachment to milk-cans for use in conjunction with milking-appliances, substantially as described and explained, as illustrated in the drawings, and for the purposes set forth.

(Specification, 4s. 3d.)

No. 29755.—20th June, 1911.—MARTIN DEACON and WILLIAM GORE, both of St. Stephen's House, Westminster, London, England, Civil Engineers, and PALATINE ENGINEERING COMPANY, LIMITED, of 10 Blackstock Street, Liverpool, Lancashire, England. Improvements in or relating to filtering-apparatus.

Claims.—(1.) A filter in which the sand or other finely divided medium is automatically transferred during the operation of the filter from one part of the filtering-mass to another. . . . (7.) A filter in which the sand or other filtering-medium is automatically transferred, as and for the purpose described, constructed so that the filtering-medium adjacent to the outlet for the filtered liquid is undisturbed by the main body of the filtering-mass as it travels towards the point from which it is withdrawn. (Specification, 11s. 3d.)

[NOTE.—Here follow six other claims.]

No. 29802.—1st July, 1911.—CHARLES EDWARD KEEN, of Masterton, New Zealand, Locomotive-driver. Improved means for automatically disinfecting water-closets and the like.

Claim.—(1.) For the purpose indicated, a disinfectant-reservoir, a valve to admit liquid disinfectant from said reservoir, a chamber into which the disinfectant is admitted, another valve to admit said disinfectant from said chamber to the closet or like pan, said valve being open when the other is closed, and means for operating the valves, substantially as set forth.

(Specification, 3s.)

[NOTE.—Here follow four other claims.]

No. 29848.—11th July, 1911.—JOHN NEWSOME CLAPHAM, of Palmerston North, New Zealand, Hairdresser. Improvements in devices for preventing horses from running away with a vehicle when unattended.

Extract from Specification.—Means whereby the reins are more readily and securely attached without tying, and these means consist of a grip or new form of ring wherein an extension or bay has a slot through which the strap of the device is looped thereby attaching it to the grip, and a peg located within the extension and behind which the reins are passed without tying. The peg is hooked to prevent the reins from slipping over the end, and the spaces on each side of the peg are sufficient to receive the reins without allowing them to be withdrawn by a straight pull from the horse's head.

(Specification, 3s.)

[NOTE.—The above extract from the specification is inserted in place of the claims.]

No. 29904.—22nd July, 1911.—THE EUREKA MILKING MACHINE COMPANY, LIMITED, a company duly incorporated under the Companies Act of New Zealand, and having its registered office at Fort Street, Auckland, New Zealand (assignees of Henry Drouthege, of 47 Vermont Street, Auckland aforesaid, Engineer). Improvements in teat-cups of milking-machines.

Extract from Specification.—Lining is moulded with recesses near the neck and at the bottom, and with one or a plurality of semicircular or other shaped longitudinal grooves or channels upon the outer circumference of the tube, each communicating with one of said recesses at the top and bottom. The inner tube has pads upon its inner periphery, located opposite to the recesses. The lower end of the tube is clamped in position by a conical connector, which is inserted in the tube and has a screw-threaded end adapted to screw into a cap at the bottom of the cup. The upper end of the inner tube has a recess which receives a ring to minimize friction when the top cap of the cup is being screwed upon the casing.

(Specification, 4s.)

[NOTE.—The above extract from the specification is inserted in place of the claims.]

No. 29945.—1st August, 1911.—WILLIAM EDWARD HARDING, Engineer, and JOHN HUNTER, Mine-manager, of Davyhurst, Western Australia, Australia. Improvements in chucks for rock-drills and other purposes.

Claim.—(1.) In a chuck for rock-drills and other purposes, a split tapered chuck-bush having a ledge or solid end against which the shank contacts to force the said bush into a tapered socket and cause it to grip the shank, for the purpose specified, and as described, and illustrated in the drawings.

(Specification, 4s. 9d.)

[NOTE.—Here follow two other claims.]

No. 29962.—4th August, 1911.—NORMAN GEORGE GORDON WINKELMANN, of Napier, New Zealand, Engineer. An improved ash-pan.

Extract from Specification.—The ash-pan consists of a metal box made to fit into the space below the fire-grating. Hinged or pivoted to the top of the pan are partial lids each of which is provided with handles and extends more than half-way across the pan, so that when both are closed down the one overlaps the other and the top of the pan is completely covered and the contents protected from being blown about by the wind. In a convenient construction of the invention the handles form part of the hinges. When both partial lids are closed down the lid which is uppermost will tend to keep the other closed, and, in order more effectually to secure this, a handle of larger size may be used on the uppermost lid whereby the lids may be held down when the ash-pan is removed for emptying.

(Specification, 2s. 6d.)

[NOTE.—The above extract from the specification is inserted in place of the claims.]

No. 30025.—15th August, 1911.—ALEXANDER STURROCK, of Lorimer Street, South Melbourne, Victoria, Australia, Timber-merchant (assignee of Henry William Rice, of Lorimer Street aforesaid, Foreman). Improvements in or relating to wire-bound boxes.

Claims.—(1.) In improvements in or relating to wire-bound boxes, a cleat having flanges projecting from three of its sides. (2.) In improvements in or relating to wire-bound boxes, a box-end having two cleats secured thereto, each provided with flanges around three of its sides.

(Specification, 5s.)

[NOTE.—Here follow six other claims.]

No. 30031.—14th August, 1911.—THE BRITISH DRUG HOUSES, LIMITED, of 22 to 30 Graham Street, City Road, London, England, Wholesale Druggists (assignees of Haydn Brown, of The Bishams, Caterham Valley, Surrey, England, Author). Improvements in suppositories.

Claim.—(1.) A suppository composed of medicated melting material and formed as a stem with bulbous ends. (2.) A suppository composed of medicated melting material and formed with two bulbous ends connected by a stem, the latter being provided with a core of wool or other suitable fibrous material.

(Specification, 1s. 6d.)

No. 30049.—18th August, 1911.—FREDERICK WILLIAM RASMUSSEN, of Club Hotel, Pahiatua, New Zealand, Farmer. Improvements in umbrellas.

Claims.—(1.) In an umbrella, the combination with ribs having spherical ends, of washers wherein the spherical ends are pivoted, one of said washers being fixed to the stick of the umbrella and the other washer turnable thereon, a pin projecting from the umbrella and adapted to engage stops upon the loose washer, and a vertical slot adjacent to one of

the stops, substantially as set forth. . . . (4.) In an umbrella, a rib having a spherical end, a stay having spherical ends, washers in which the rib and the stay are pivoted, and a hood fixed to the rib in which the other end of the stay is pivoted, substantially as set forth. (Specification, 3s.)

[NOTE.—Here follow two other claims.]

No. 30075.—22nd August, 1911.—THE PEAT COAL INVESTMENT COMPANY, LIMITED, of 34 Nicholas Lane, Lombard Street, London E.C., England, Manufacturers (assignees of Thomas Rigby, of Station Hotel, Dumfries, Scotland). Improvements in the production of briquette fuel.

Claim.—(1.) A process for the production of briquette fuel in which an ammonia-recovery gas-producer plant is used with the fuel-briquetting plant, characterized in this that the vapour generated in the dryer of the briquetting-plant is passed into the air-supply of the gas-producer to furnish all or part of the large quantity of steam required for ammonia-recovery, whereby generation of auxiliary steam is wholly or largely avoided, and the steam usually wasted in the dryer of the briquetting-plant is usefully employed, with the result that the cost of producing briquette fuel is very greatly reduced. (Specification, 13s. 6d.)

[NOTE.—Here follow five other claims.]

No. 30076.—22nd August, 1911.—THE PEAT COAL INVESTMENT COMPANY, LIMITED, of 34 Nicholas Lane, Lombard Street, London E.C., England, Manufacturers (assignees of Nils Testrup, of 6 Broad Street Place, London E.C., England, Gentleman). Improvements in band-presses.

Claim.—(1.) A band-press with band-supporting means, and means for reducing the friction between the band and the support, characterized in this that the friction-reducing device is capable of a motion of translation—for example, by forming the same as a roller-chain free to move in the direction of motion of the band. (Specification, 5s. 9d.)

[NOTE.—Here follow four other claims.]

No. 30083.—24th August, 1911.—HORACE AUDLEY FRY, of Umukuri, New Zealand, Farm Labourer. An improved acetylene-generator.

Claim.—(1.) In acetylene-generators, the combination with a gas-holder fitting into a water-tank, of a generating-chamber situated within the holder and containing carbide-trays, a small gas-chamber situated upon the top of the holder, pipe-connections extending between the generating-chamber and the gas-chamber, an outlet between such gas-chamber and the gas-holder, a valve normally closing such outlet, and means whereby such valve will be opened when the gas-holder descends and will be allowed to close when the holder rises, substantially as and for the purposes specified. (Specification, 6s. 6d.)

[NOTE.—Here follow four other claims.]

No. 30115.—30th August, 1911.—WILLIAM ERNEST HILL DE BAUGH, of Wynyard Road, Mount Eden, Auckland, New Zealand, Builder. Improvements in scaffold-brackets.

Extract from Specification.—According hereto, a tee-iron member upon which the scaffold-planks lie is pivoted to an L-shaped gripper-bracket, the ends of the vertical members being made wedge shape to pass beneath two weatherboards. The gripper or bracket is provided with a pivoted claw, having its end so shaped that it readily engages the wall and prevents the gripper or bracket from slipping. (Specification, 2s. 9d.)

[NOTE.—The above extract from the specification is inserted in place of the claims.]

No. 30118.—30th August, 1911.—JOHN SHARP, Jun., of Nelson, and FRANK LEONARD PETERSON, of Wellington, both of New Zealand, Sharebroker and Marine Engineer respectively. An improved reservoir-attachment to the nibs of pens.

Claims.—(1.) A reservoir-attachment to the nibs of pens consisting of a cylinder of fine metallic gauze adapted to fit into the lower end of the nib-holder and to extend along beneath the nib, and formed with a small nozzle opening at its lower end, substantially as specified. (2.) A reservoir-attachment to the nibs of pens constructed as described in claim (1), and provided with spring grips on its upper end, shaped to grip upon the inside surface of the nib-holder, substantially as and for the purposes specified. (3.) The improved reservoir-attachment to the nibs of pens constructed substantially as described and explained, as illustrated in the drawings, and for the purpose set forth. (Specification, 2s. 3d.)

No. 30200.—11th September, 1911.—ARTHUR FAIRBURN, of Parnell, Auckland, New Zealand, Clerk. An improved fireless-cooker.

Claim.—(1.) In an improved fireless cooker, the lower part or bottom formed of a casing of tin or like material packed with pumice, and having a flange formed on its upper surface and a water-chamber formed round its outer edge, in the manner and for the purpose set forth, as described and illustrated. (Specification, 3s.)

[NOTE.—Here follow three other claims.]

Copies of drawings may be obtained at the uniform price of 1s. each. In exceptional cases this price may be increased at the discretion of the Office.

An asterisk (*) denotes the complete specification of an invention for which a provisional specification has been already lodged. A dagger (†) denotes a prior date under the International and Intercolonial Arrangements.

NOTE.—The cost of copying the specification has been inserted after the notice of each application. An order for a copy or copies should be accompanied by a post-office order or postal note for the cost of copying.

The date of acceptance of each application is given after the number.

Extracts from the drawings accompanying the foregoing complete specifications appear at the end of this *Gazette*.

J. C. LEWIS,
Registrar.

Provisional Specifications accepted.

Patent Office,
Wellington, 12th October, 1911.

APPLICATIONS for Letters Patent, with provisional specifications, have been accepted as under:—

- No. 29020.—D. McAuslin, boot.
- No. 29630.—B. Whitham, attaching lifebuoys to ships' rails, &c.
- No. 29838.—H. Metcalfe, nut-lock.
- No. 29863.—A. Cooper, tussock-knife attachment to plough.
- No. 29877.—S. Burrows, cure for rheumatism, gout, &c.
- No. 29944.—B. J. Griffin, reversible sash-windows.
- No. 29987.—H. M. Levinge, wreck-locator.
- No. 30013.—A. Hill and T. Maude, tree-felling means.
- No. 30016.—A. M. Akers, hatpin-protector.
- No. 30020.—W. J. Taylor, broom-handle.
- No. 30038.—T. Foster, variable gear.
- No. 30043.—D. P. O'Hern, hand-signal lamp.
- No. 30046.—G. W. Hutchinson, plough-steering, &c., apparatus.
- No. 30047.—G. W. Hutchinson, plough-lever.
- No. 30051.—P. J. Griffin, motor-cycle benzoline-tank.
- No. 30053.—A. Burt, pasteurizer and ejector.
- No. 30062.—E. Hayes, wire-strainer.
- No. 30090.—W. J. Hamon, sea-sounding apparatus.
- No. 30095.—M. W. P. Balthwayt, toothache-cure.
- No. 30098.—J. R. Jones, wool-washing machine.
- No. 30142.—W. Porch, fencing-batten.
- No. 30157.—H. J. Richards and R. B. Pyle, vulcanizer.
- No. 30186.—W. W. Skinner, wood and metal worker.

[NOTE.—Provisional specifications cannot be inspected, or their contents made known by this office in any way, until the complete specifications in connection therewith have been accepted.]

Letters Patent sealed.

LIST of Letters Patent sealed from the 22nd September to the 10th October, 1911, inclusive:—
Nil.

Letters Patent on which Fees have been paid.

[NOTE.—The dates are those of the payments.]

SECOND-TERM FEES.

- No. 23536.—Commercial Manufacturing and Galvanizing Company, Limited, folding edges of sheet metal. (Commonwealth Manufacturing and Galvanizing Company, Limited—W. J. Houcroft.) 27th September.
- No. 23565.—G. Saunders, threshing-machine attachment. 2nd October.
- No. 23569.—J. D. McLaurin, apparatus for introducing papers or packages into wool, &c., bales. 9th October.
- No. 23571.—N. Ceipek, safety-explosive manufacture. 10th October.

- No. 23586.—F. H. Trevellian, cash-register. 9th October.
 No. 23661.—E. Bellini and A. Tosi, directed wireless telegraphy. 4th October.
 No. 23681.—Marconi's Wireless Telegraph Company, Limited, transmitter for wireless telegraphy. (G. Marconi.) 3rd October.
 No. 23685.—W. P. Notcutt, file or rasp. 12th October.
 No. 23713.—Professor Dr. D. Finkler, grain-pulse treating. 2nd October.
 No. 23726.—W. Wiggins, milking-machine. (R. A. Wiggins and C. Bristow.) 29th September.
 No. 23727.—E. Hayes, fencing-link. 12th October.
 No. 23762.—The Deutsche Gasglühlicht Aktiengesellschaft, gas-mantle manufacture. (H. Sussmann.) 12th October.
 No. 23814.—The American Linen Company, flax-machines. (C. G. Cooke.) 2nd October.

THIRD-TERM FEES.

- No. 18597.—M. Woods and T. J. Gilbert, dressing rails *in situ*. 29th September.
 No. 18598.—E. Phillips, treating milk. (S. R. Kennedy.) 2nd October.
 No. 18630.—E. Phillips, cream-products. (C. M. Taylor.) 10th October.
 No. 18679.—L. Nathan, brewing beer. 2nd October.
 No. 18725.—Marconi's Wireless Telegraph Company, Limited, transmitting-instrument for wireless telegraphy. (J. A. Fleming.) 3rd October.

Subsequent Proprietors of Letters Patent registered.

[NOTE.—The name of the former proprietor is given in brackets; the date is that of registration.]

UNITED SHOE MACHINERY COMPANY, of Paterson, in the State of New Jersey, in the United States of America, a corporation duly organized under the laws of said State of New Jersey, and having a place of business at 205 Lincoln Street, in Boston, in the Commonwealth of Massachusetts, United States of America, registered as proprietors of the following patents:—

- No. 22926.—Rough-rounding machine. (Manufacturers' Machine Company—M. D. Phelan.)
 No. 23055.—Boot-treating machine. (Manufacturers' Machine Company—W. H. Hooper.)
 No. 23124.—Channelling-machine. (Manufacturers' Machine Company—C. P. Stanbon.)
 No. 23157.—Channel-flap layer. (Manufacturers' Machine Company—W. H. Hooper.)
 No. 23158.—Staple driving and forming machine. (Manufacturers' Machine Company—P. R. Glass.)
 No. 23159.—Buffing-machine. (Manufacturers' Machine Company—J. E. Leavitt.)
 No. 23160.—Stitch impression-finishing machine. (Manufacturers' Machine Company—J. J. Heys.)
 No. 23304.—Facilitating assemblage of shoe uppers and soles. (Manufacturers' Machine Company—W. H. Hooper.)
 No. 23376.—Buffing-machine. (Manufacturers' Machine Company—J. Gelzenlichter.)
 No. 23424.—Pad-cover and method of making same. (Manufacturers' Machine Company—G. F. Stewart.) 4th October, 1911.

No. 23598.—United Shoe Machinery Company, of Paterson, in the State of New Jersey, in the United States of America, a corporation duly organized under the laws of said State of New Jersey, and having a place of business at 205 Lincoln Street, Boston, Massachusetts, United States of America. Inseam-trimming machine. (Nichols-Field Shoe Machinery Company—H. Lyon.) 3rd October, 1911.

Nos. 24700 and 28802.—The Wright-Bell Patent Company, Limited, a company duly incorporated, and having its registered office situated at 22 Empire Buildings, Swanson Street, Auckland, New Zealand. Advertising device and advertising displaying apparatus. (A. H. Wright.) 4th October, 1911.

No. 27951.—United Shoe Machinery Company, of Paterson, in the State of New Jersey, in the United States of America, a corporation duly organized under the laws of said State of New Jersey, and having a place of business at 205 Lincoln Street, in Boston, in the Commonwealth of Massachusetts, United States of America. Press. (I. C. Buckminster.) 3rd October, 1911.

No. 29577.—The Mechanical Decarbonizing Syndicate, Limited, of 161 Piccadilly, London, England, Manufacturers. Burnishing and scarifying. (G. Calvert.) 27th September, 1911.

Application for Letters Patent opposed.

NOTICE of opposition has been lodged in the following case:—

- No. 28546.—P. A. Nikolaison, double-furrow reversible disc plough. Opposed by T. and S. Morrin, Limited.

Applications for Letters Patent abandoned.

LIST of applications, with which provisional specifications only have been filed, abandoned (*i.e.*, complete specifications not lodged) from the 29th September to the 13th October, 1911, inclusive:—

- No. 28760.—L. G. Hamn, boot sole and heel.
 No. 28797.—J. Staffans, vehicle and brake-pipe coupling.
 No. 28801.—J. W. Fowler, turbine.
 No. 28803.—L. Pickering, points for protection of runaway trucks.
 No. 28804.—N. S. McNab, registering-device.
 No. 28805.—R. C. Bowick, lifting and holding bar.
 No. 28808.—W. M. Keen, rabbit and hare packing.
 No. 28812.—H. J. Hickey, horse-racing hurdle.
 No. 28816.—J. H. Gay, stone-quarrying apparatus.
 No. 28821.—H. Pettitt, gate-lock.
 No. 28825.—J. A. Cocbrane, solder.
 No. 28828.—D. J. O'Brien and R. M. Catts, lamp and reflector.
 No. 28830.—G. Milton, animal-trap.
 No. 28834.—M. McConkey, greenhouse-ventilator.
 No. 28841.—C. P. Curlewis, sheet-metal-slitting machine. (J. Heine.)
 No. 28842.—C. P. Curlewis, sheet-metal-slitting machine. (J. Heine.)
 No. 28848.—C. F. Lungley, hide-treatment.
 No. 28857.—T. Hurd, draught-preventer.
 No. 28858.—A. J. Cummings, tailors' chalk-holder.
 No. 28859.—H. Elliott, shaping-machine spring and guard.
 No. 28864.—A. J. Park, hanger for kitchen utensils.
 No. 28866.—J. E. Main, lawn-edge trimmer.
 No. 28868.—J. W. Livesay, flax-stripper.
 No. 28869.—R. F. Moore, oil-extraction from peat.
 No. 28871.—G. Nye, lantern-picture-displaying means.

Applications for Letters Patent void.

APPPLICATIONS for Letters Patent, with which complete specifications have been lodged, void owing to non-acceptance of such complete specifications, from the 29th September to the 13th October, 1911, inclusive:—

- No. 27997.—H. Corn, water-heater.
 No. 28006.—L. E. Hogbacka and W. B. Ingram, roller harrow.
 No. 28043.—A. L. J. Tait, aerial machine.
 No. 28044.—G. H. Foote, spouting.
 No. 28045.—T. S. Patrick, fibre-dressing.

Applications for Letters Patent lapsed.

APPPLICATIONS for Letters Patent lapsed, owing to Letters Patent not being sealed, from the 29th September to the 13th October, 1911, inclusive:—

- No. 27474.—H. W. Davies, acetylene-gas drying.
 No. 27489.—P. Hastings and G. Land, skylight.
 No. 27503.—F. H. Law, bag-lifting apparatus.
 No. 27504.—O. Olson, brooch-locking device.
 No. 27515.—W. McLeod, collapsible seat.
 No. 27538.—E. Snadgett, beverage.
 No. 27553.—G. Hutchinson, seed-sower.
 No. 27565.—K. S. Begg, spraying and damping appliance.

Letters Patent void.

LIST of Letters Patent void through non-payment of renewal fees, and through expiry of term of fourteen years, from the 29th September to the 12th October, 1911, inclusive:—

THROUGH NON-PAYMENT OF SECOND-TERM FEES.

- No. 23078.—W. Grattan, furniture drawers and fittings.
 No. 23082.—J. Upchurch, vice.
 No. 23084.—J. Kershaw, hop-pressing machine.
 No. 23089.—A. T. Pfeff, liquid-heating apparatus.
 No. 23091.—H. L. J. Torpy, bottle-filling apparatus.
 No. 23092.—J. Cornwell, reinforced-concrete post.
 No. 23095.—H. H. Hesketh, electric alarm.
 No. 23106.—A. J. Baker, crutch.
 No. 23108.—T. L. Smith, rotary mixing-machine.

- No. 23109.—T. L. Smith, mortar-mixing machine.
 No. 23110.—T. West, estimating-instrument.
 No. 23113.—Linotype and Machinery, Limited, printing-machine. (W. E. Hughes—T. M. North and T. R. G. Parker.)
 No. 23120.—D. Amey, agricultural implement.
 No. 23121.—A. Raky, deep-boring apparatus. (W. Schott.)
 No. 23133.—D. Matheson, agricultural implement.
 No. 24555.—S. F. Crocker, rifle-carrying attachment.
 No. 24578.—W. J. C. Downey, wind-gauge.
 No. 24591.—F. Rowley, tennis-ball.

THROUGH NON-PAYMENT OF THIRD-TERM FEES.

- No. 18102.—A. E. and H. G. Bradley, pump.
 No. 18127.—F. Visintini, girder, column, &c.
 No. 18150.—B. F. Dunn, wire-mattress tightener.

THROUGH EXPIRY OF TERM.
 Nil.

Designs expired.

THE copyright in the following designs has expired:—
 No. 300.—F. Schutze and Co., London, Eng. Class 12.
 Nos. 301, 302, and 303.—Duckworth, Turner, and Co., Limited, Christchurch, N.Z. Class 10.
 No. 304.—Brett Printing and Publishing Company, Limited, Auckland, N.Z. Class 5.
 Nos. 305 and 306.—Duckworth, Turner, and Co., Limited, Christchurch, N.Z. Class 10.

Applications for Trade Marks filed.

LIST of applications for registration of Trade Marks filed from the 29th September to the 12th October, 1911, inclusive:—

- No. 9942.—23th September.—Allinson and Co., Northampton, Eng. Class 38.
 No. 9943.—29th September.—Brace, Windle, Blyth, and Co., Limited, Dunedin, N.Z. Class 50.
 No. 9944.—29th September.—D. H. Munn, Te Aute, N.Z. Class 3.
 No. 9945.—2nd October.—H. North, Seacliff, N.Z. Class 42.
 Nos. 9946, 9947, and 9948.—2nd October.—T. MacIntyre and Co., Glasgow, Scot. Classes 1, 4, and 47.
 No. 9949.—2nd October.—A. G. Seddon, Denniston, N.Z. Class 3.
 No. 9950.—2nd October.—Burgess, Ledward, and Co., Limited, Manchester, Eng. Class 24.
 No. 9951.—2nd October.—R. Martin, Limited, Wellington, N.Z. Class 1.
 No. 9952.—3rd October.—Cerebos Limited, Greatham, Eng. Class 42.
 No. 9953.—3rd October.—R. Brown, Limited, Glasgow, Scot., and London, Eng. Class 43.
 No. 9954.—3rd October.—S. N. Doust, London, Eng. Class 49.
 No. 9955.—3rd October.—Bahr and Gerkens, Altona-Ottensen, Ger. Class 50.
 No. 9956.—4th October.—Schneideman Bros., Limited, Auckland, N.Z. Class 38.
 No. 9957.—4th October.—R. A. Harris and J. E. Gear, "Harris and Gear," Wellington, N.Z. Class 2.
 No. 9958.—4th October.—E. Bostock and Co., Limited, Stafford, Eng. Class 38.
 No. 9959.—6th October.—Office Appliance Company, Wellington, N.Z. Class 39.
 No. 9960.—7th October.—Levin and Co., Limited, Wellington, N.Z.; T. W. Young, A. Young, C. Young, and A. Young, "T. W. Young," Wellington, N.Z. Class 44.
 No. 9961.—9th October.—Read Bros., Limited, London, Eng. Class 43.
 No. 9962.—9th October.—Sargood, Son, and Ewen, Limited, Dunedin and elsewhere, N.Z. Class 38.
 Nos. 9963 and 9964.—9th October.—Collins Bros. and Co., Limited, Auckland, N.Z. Class 39.
 Nos. 9965, 9966, 9967, and 9968.—10th October.—Salubra Wall Cover Company Basle, Basle, Switz-rland. Class 41.
 No. 9969.—10th October.—L. and C. Hardtmuth, Limited, London, Eng. Class 39.
 No. 9970.—10th October.—Philips and Pike, Wellington, N.Z. Class 18.
 No. 9971.—12th October.—Ambury Limited, Auckland, N.Z. Class 42.
 No. 9972.—12th October.—Philips and Pike, Wellington, N.Z. Class 13.

Applications for Registration of Trade Marks.

Patent Office,
 Wellington, 12th October, 1911.

APPLICATIONS for registration of the following Trade Marks have been received. Notice of opposition to the registration of any of these applications may be lodged at this office within two months of the date of this Gazette. Such notice must be in duplicate, and accompanied by a fee of £1.

No. of application: 9147.
 Date: 8th November, 1910.

TRADE MARK.



KING DICK

NAME.

ARINGTON-ECCO, LIMITED, of King's Road, Tyseley, Birmingham, Warwickshire, England, Manufacturers.

No. of class: 13.
 Description of goods: Movable wrenches and spanners, and similar metal tools without a cutting-edge in Class 13.

No. of application: 9237.
 Date: 12th December, 1910.

TRADE MARK.



The essential particular of this trade mark is the word "Crystal"; and any right to the exclusive use of the added matter is disclaimed.

NAME.

THE NEW ZEALAND CANDLE COMPANY, LIMITED, of Kaiwarra, Wellington, in the Dominion of New Zealand.

No. of class: 47.
 Description of goods: Candles.

No. of application: 9905.
 Date: 11th September, 1911.

TRADE MARK.

The words

GOLDEN FLEECE.

The essential particulars of this trade mark are the words "Golden Fleece."

NAME.

WATSON BROS., LIMITED, of Palmerston North, in the Dominion of New Zealand, Grocers.

No. of class: 47.
 Description of goods: Household soaps.

No. of application : 9926.
Date : 19th September, 1911.

TRADE MARK.



NAME.

PACIFIC MILLS, of 70 Kilby Street, Boston, Massachusetts, United States of America.

No. of class : 24.

Description of goods : Cotton piece-goods, including cotton crape.

No. of application : 9933.
Date : 26th September, 1911.

TRADE MARK.



The essential particulars of this trade mark are the distinctive label and the word "Union"; and any right to the exclusive use of the added matter is disclaimed.

NAME.

MARGARET HUTCHISON McNISH, of 2 Gladstone Road, North-east Valley, Dunedin, in the Dominion of New Zealand, Domestic Duties.

No. of class : 3.

Description of goods : An ointment.

No. of application : 9935.
Date : 27th September, 1911.

TRADE MARK.

The word

BRONCO.

NAME.

BRITISH PATENT PERFORATED PAPER COMPANY, of Atlas Works, Berkshire Road, Hackney Wick, London N.E., England, Manufacturers.

No. of class : 48.

Description of goods : Medicated and other toilet papers and rolls.

No. of application : 9936.
Date : 27th September, 1911.

TRADE MARK.

The words

BRITISH No. 3.

The applicants claim that the said trade mark has been used by them in respect of the articles mentioned since before the 2nd day of September, 1889.

NAME.

BRITISH PATENT PERFORATED PAPER COMPANY, of Atlas Works, Berkshire Road, Hackney Wick, London N.E., England, Manufacturers.

No. of class : 48

Description of goods : Medicated and other toilet papers and rolls.

No. of application : 9941.
Date : 28th September, 1911.

TRADE MARK.



The essential particulars of this trade mark are the device and the word "Pegasus"; and any right to the exclusive use of the added matter is disclaimed.

NAME.

STANDARD OIL COMPANY OF NEW YORK, a corporation organized under the laws of the State of New York, of 26 Broadway, New York City, New York, United States of America.

No. of class : 47.

Description of goods : Naphtha and gasoline.

No. of application : 9946.
Date : 2nd October, 1911.

TRADE MARK.

"HORSE SHOE" BRAND.

TRADE



MARK.

REGISTERED.

The essential particulars of this trade mark are the words "Horse Shoe" and the device; and any right to the exclusive use of the added matter is disclaimed.

NAME.

THOMAS MACINTYRE AND Co., of Dundas, Glasgow, Scotland, Oil and Colour Merchants.

No. of class : 1.

Description of goods : Paints, colours, varnishes, chemicals, dyes included in this class.

No. of application : 9951.
Date : 2nd October, 1911.

TRADE MARK.

The word

ELECTRIX.

NAME.

ROBERT MARTIN, LIMITED, a private company duly incorporated and having its registered office in Manners Street, in the City of Wellington, in the Dominion of New Zealand.

No. of class : 1.

Description of goods : Varnishes, dryers, lacquers, enamels, fillers, and like goods included in this class.

No. of application : 9954.
Date : 3rd October, 1911.

TRADE MARK.

NAME.

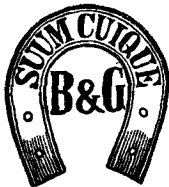
STANLEY NORWOOD DOUST, of 111 Aldersgate Street, London, England, General Agent.

No. of class : 49.

Description of goods : Racquets for lawn-tennis and the like.

No. of application: 9955.
Date: 3rd October, 1911.

TRADE MARK.



The applicants claim that the said trade mark has been used by them in respect of the articles mentioned for five years before the 1st January, 1890.

NAME.

BAHR AND GERKENS, Manufactory of Goldcornices, Germany, Altona-Ottensen, Lagerstr. 60.

No. of class: 50 (1).

Description of goods: All kinds of picture-frame mouldings and room-mouldings.

No. of application: 9957.
Date: 4th October, 1911.

TRADE MARK.

The word

HARBAS.

NAME.

R. A. HARRIS AND J. E. GEAR, of 65 Thorndon Quay, Wellington, in the Dominion of New Zealand.

No. of class: 2.

Description of goods: Oil and chemical compositions for agricultural and horticultural purposes, fungicides, and insect destroyers.

No. of application: 9958.
Date: 4th October, 1911.

TRADE MARK.

DELTA

The essential particular of the trade mark is the following—the word "Delta."

NAME.

EDWIN BOSTOCK AND CO., LIMITED, a company incorporated in England under the Companies Acts, 1862 to 1893, of Sandon Road, Stafford, in the County of Stafford, England, Boot and Shoe Manufacturers.

No. of class: 38.

Description of goods: Boots, shoes, and slippers.

No. of application: 9962.
Date: 9th October, 1911.

TRADE MARK.

The word

IRIS.

NAME.

SARGOOD, SON, AND EWEN, LIMITED, of Dunedin, in the Provincial District of Otago, and elsewhere in the Dominion of New Zealand, Warehousemen.

No. of class: 38.

Description of goods: Ready-made clothing—viz., under-clothing.

No. of application: 9969.
Date: 10th October, 1911.

TRADE MARK.

The word

ALPHA.

NAME.

L. AND C. HARDTMUTH, LIMITED, of Koh-i-noor House, Kingsway, London, England, Pencil-manufacturers.

No. of class: 39.

Description of goods: Pencils included in this class.

J. C. LEWIS,
Registrar.

Trade Marks registered.

LIST of Trade Marks registered from the 29th September to the 12th October, 1911, inclusive:—

No. 7397/9278.—Dunlop Rubber Company of Australasia, Limited. Class 40. (*Gazette* No. 7, of the 26th January, 1911.)

No. 7726/9209.—Alaska Packers' Association. Class 42. (*Gazette* No. 50, of the 15th June, 1911.)

No. 7727/9704.—Lever Bros., Limited. Class 47. (*Gazette* No. 53, of the 29th June, 1911.)

Nos. 7728/9705, 7729/9707, and 7730/9708.—Alaska Packers Association. Class 42. (*Gazette* No. 53, of the 29th June, 1911.)

No. 7731/9683.—Westminster Tobacco Company, Limited. Class 45. (*Gazette* No. 50, of the 15th June, 1911.)

No. 7732/9713.—Mackerras and Hazlett, Limited. Class 42. (*Gazette* No. 53, of the 29th June, 1911.)

No. 7733/9747.—Irvine and Stevenson's St. George Company, Limited. Class 42. (*Gazette* No. 53, of the 13th July, 1911.)

No. 7734/9232.—The New Zealand Candle Company, Limited. Class 47. (*Gazette* No. 18, of the 9th March, 1911.)

No. 7735/9676.—Ross and Glendining, Limited. Class 38. (*Gazette* No. 53, of the 29th June, 1911.)

No. 7736/9677.—Ross and Glendining, Limited. Class 38. (*Gazette* No. 50, of the 15th June, 1911.)

No. 7737/9547.—J. Neil, Limited. Class 44. (*Gazette* No. 58, of the 13th July, 1911.)

No. 7738/9056.—The Kura-Kut Manufacturing Company. Class 3. (*Gazette* No. 90, of the 6th October, 1910.)

No. 7739/9035.—G. Quenot. Class 3. (*Gazette* No. 93, of the 20th October, 1910.)

No. 7740/9050.—The Kura-Kut Manufacturing Company. Class 2. (*Gazette* No. 93, of the 20th October, 1910.)

No. 7741/9706.—Alaska Packers' Association. Class 42. (*Gazette* No. 58, of the 13th July, 1911.)

No. 7742/9346.—M. C. Thomson and Co., Limited. Class 27. (*Gazette* No. 23, of the 23rd March, 1911.)

No. 7743/9578.—D. H. and D. Vettewinkel. Class 1. (*Gazette* No. 53, of the 29th June, 1911.)

No. 7744/9640.—Ward and Payne. Class 12. (*Gazette* No. 46, of the 1st June, 1911.)

No. 7745/9641.—Ward and Payne. Class 13. (*Gazette* No. 53, of the 29th June, 1911.)

No. 7746/9719.—The Vreeland Chemical Company. Class 2. (*Gazette* No. 53, of the 29th June, 1911.)

No. 7747/8938.—A. E. Usherwood and Co. Class 47. (*Gazette* No. 80, of the 25th August, 1910.)

No. 7748/9727.—Locke, Blackett, and Co., Limited. Class 1. (*Gazette* No. 62, of the 27th July, 1911.)

No. 7749/8870.—J. M. Walker and Co., Limited. Class 38. (*Gazette* No. 62, of the 27th July, 1911.)

No. 7750/9533.—Ehrich and Graetz. Class 13. (*Gazette* No. 62, of the 27th July, 1911.)

No. 7751/9722.—H. Brooks and Co. Class 16. (*Gazette* No. 53, of the 29th June, 1911.)

No. 7752/9741.—E. B. Davies. Class 3. (*Gazette* No. 62, of the 27th July, 1911.)

No. 7753/9762.—A. Wilson. Class 2. (*Gazette* No. 62, of the 27th July, 1911.)

No. 7754/9763.—J. Spicer and Sons, Limited. Class 39. (*Gazette* No. 62, of the 27th July, 1911.)

Nos. 7755/9769, 7756/9770, and 7757/9771.—British Patent Perforated Paper Company. Class 48. (*Gazette* No. 62, of the 27th July, 1911.)

No. 7758/9746.—C. A. W. Hargraves and F. C. P. Fiddy. Class 5. (*Gazette* No. 62, of the 27th July, 1911.)

Trade Mark Renewal Fees paid.

FEES paid for the renewal of the undermentioned Trade Marks for fourteen years from the date first mentioned:—

No. 2169/1715.—5th October, 1911.—Wilson, Balk, and Co., Dunedin, N.Z. 29th September, 1911.

No. 2207/1866.—8th November, 1911.—Brace, Windle, Blyth, and Co., Limited, Dunedin and Auckland, N.Z., and Walsall, Eng. 30th September, 1911.

Subsequent Proprietors of Trade Marks registered.

[NOTE.—The name of the former proprietor is given in brackets; the date is that of registration.]

NOS. 4941/3905, 5005/3933, 5006/4148, 5007/3934, 5008/3935, 5010/3936, 5011/3978, 5135/4064, 5199/4098, 5620/4394, 5626/4438, 5627/4395, 5628/4396, 5629/4397, 5630/4398, 5631/4399, 5632/4400, 5633/4439, 5638/4418, 5639/4419, 5640/4420, 5641/4421, 5867/4584, 6781/5313, and 6782/5314. The British Columbia Packers' Association, a body politic and corporate, duly incorporated under an Act of the Legislature of the Province of British Columbia, Canada (10 Edward 7, Chapter 60), having its registered office in the City of Vancouver, British Columbia aforesaid. (The British Columbia Packers' Association.) 25th September, 1911.

Trade Marks removed from the Register.

TRADe Marks removed from the Register owing to the non-payment of the renewal fee, from the 29th September to the 12th October, 1911, inclusive:—

No. 2054/1762.—3rd July, 1897.—The Victoria Date Company, Limited, London, Eng. Class 42.
No. 2056/1668.—12th July, 1897.—J. F. Sutherland, Wellington, N.Z. Class 3.

Trade Mark restored to the Register.

THE following Trade Mark has been restored to the Register:—

No. 1969/1587.—G. W. Wilton. Class 3.

(NOTE.—This trade mark was removed from the Register owing to the omission of the proprietor to advise the office of the payment of the renewal fee to the Public Account.)

By Authority: JOHN MACKAY, Government Printer, Wellington.

ILLUSTRATIONS OF INVENTIONS.

[These illustrations refer to the complete specifications accepted, and advertised in this *Gazette*.]

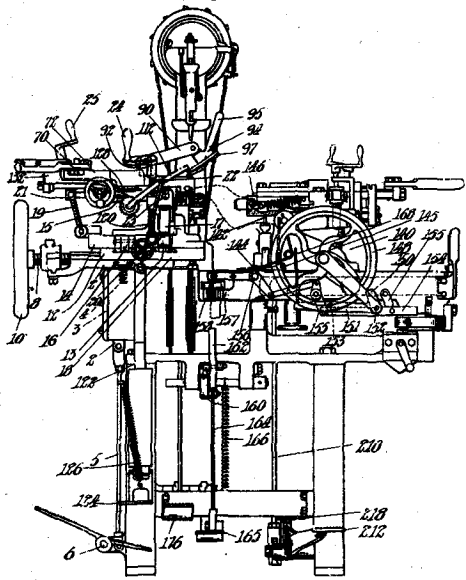


Fig. 1.

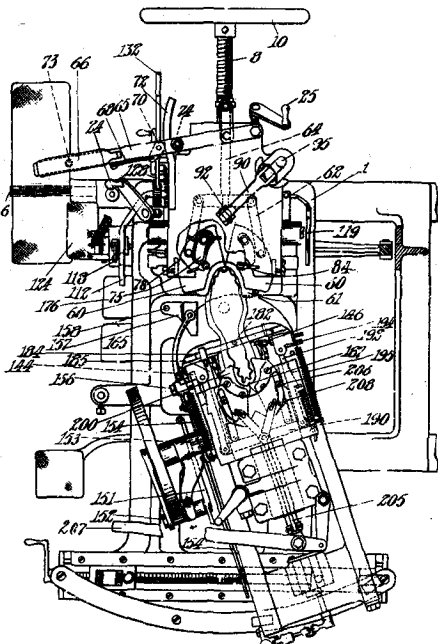


Fig. 2.

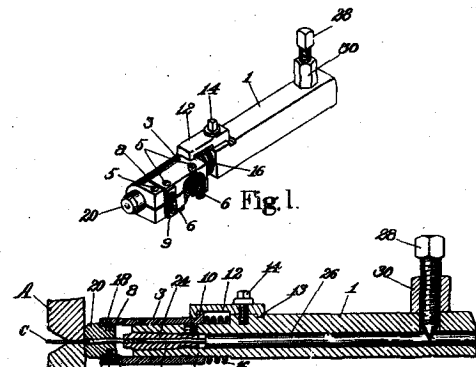


Fig. 3.

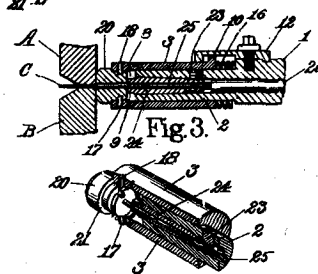


Fig. 4.

Nail-making machine. United Shoe Machinery Co. (Brook) 28843

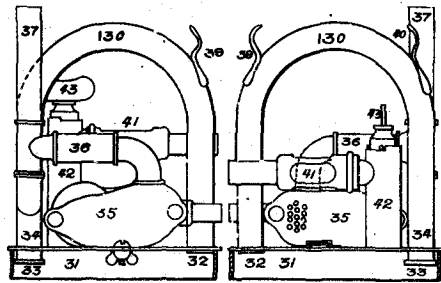


Fig. 7

Fig. 8

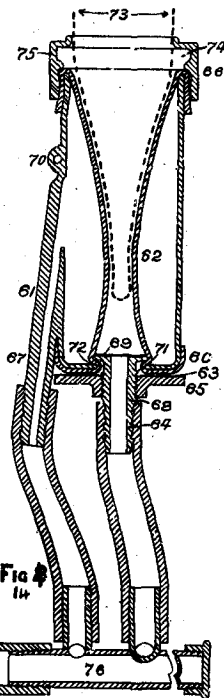
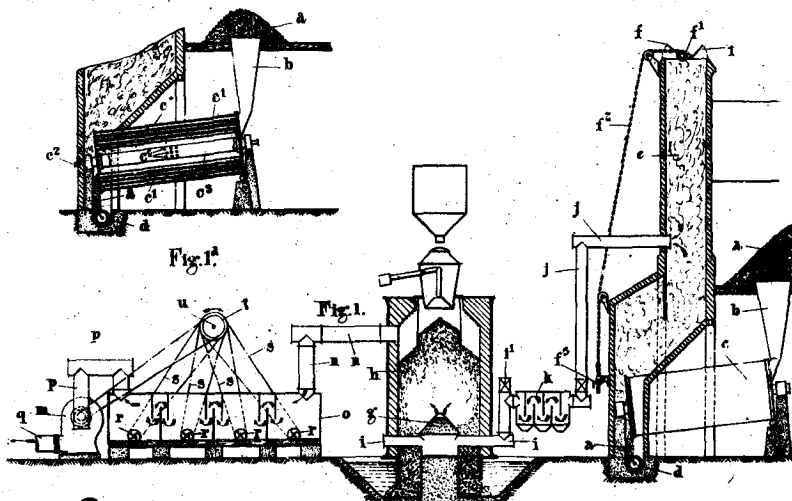


Fig. 9

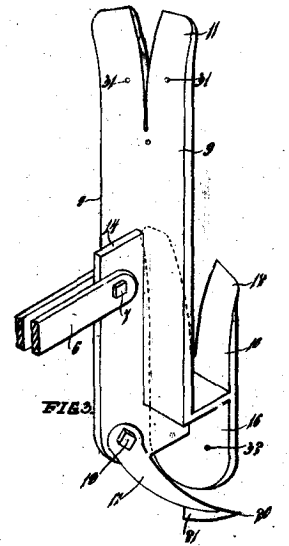
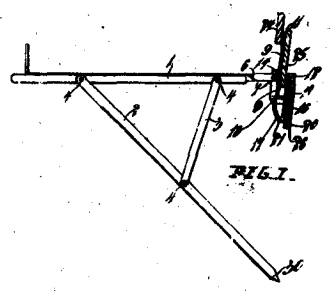
Milking apparatus. Kidd. 28893



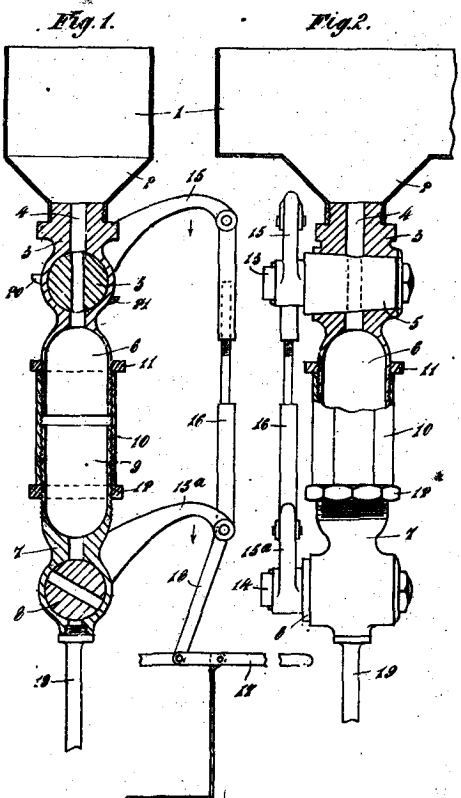
Hair-pad. Baylis. 28578.



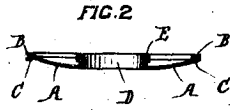
Briquette manufacture. Peat Coal Investment Co. Ltd (Nisby) 30075.



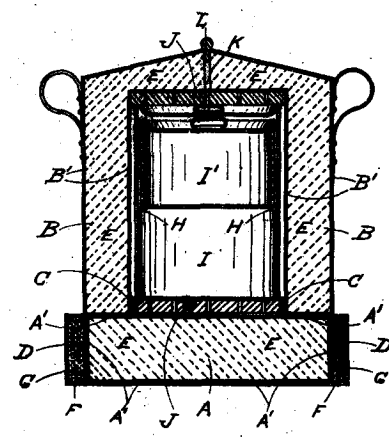
Scaffold-bracket De Baugh. 30115.



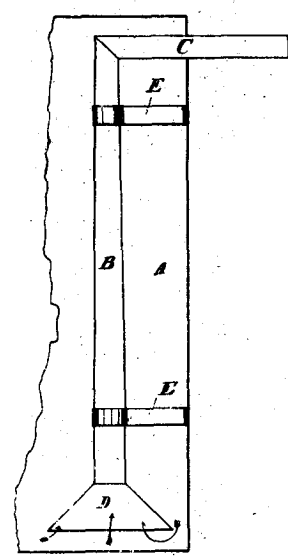
Water-closet disinfectant Keen. 29802.



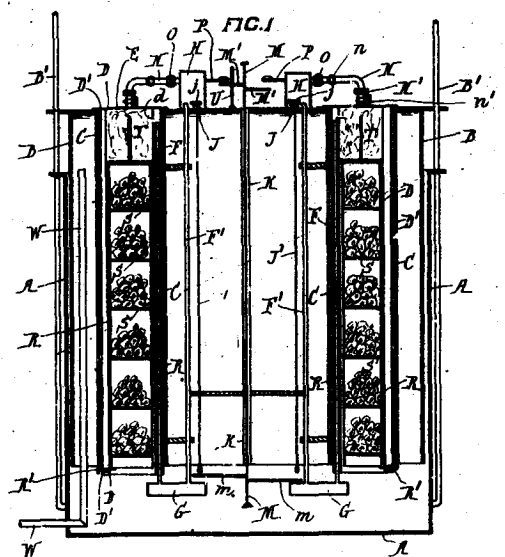
Direct milk delivery attachment. Currie & Thorpe 29708.



Cooker. Fairbairn. 30200.



Tank-overflow. Geary. 28817



Acetylene generator. Fry. 30083.

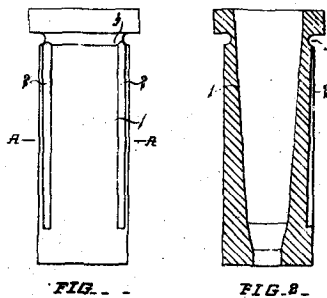


FIG. 7. FIG. 8.

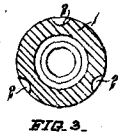


FIG. 9.

Teat-cup lining. Droullege. 28595.

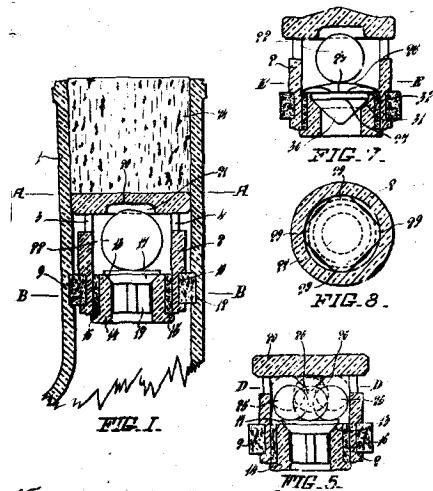


FIG. 1.

FIG. 5.

FIG. 7.

FIG. 8.

Non-refillable bottle. Lyell. 28860.

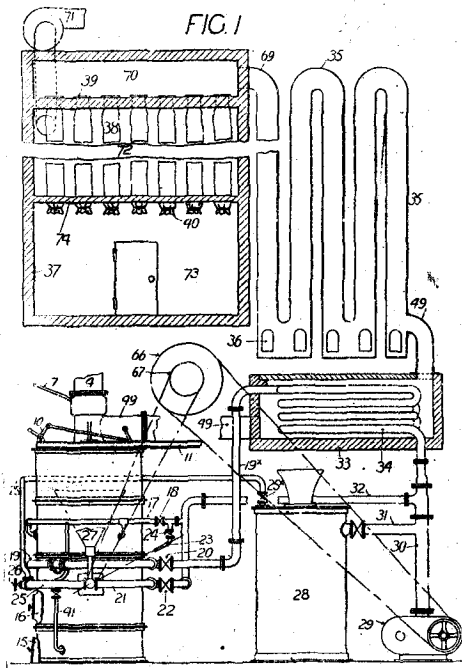
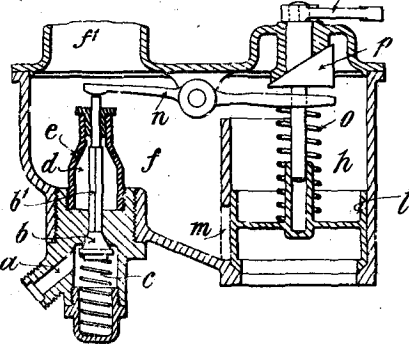


FIG. 1.

Ore treatment. Banes. 29528.



Carburettor. Newson. 29258.

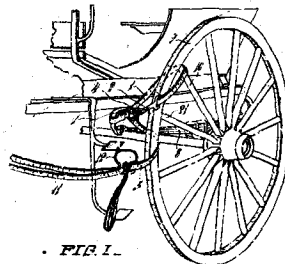


FIG. 1.

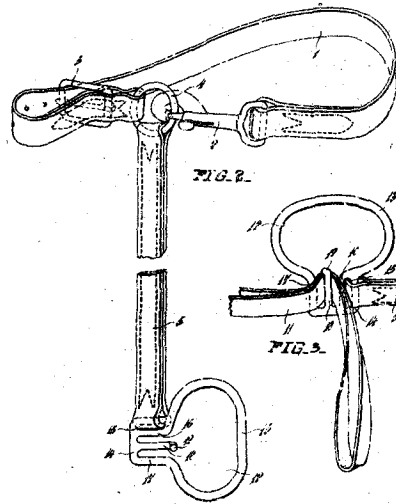


FIG. 2.

FIG. 3.

Horse-holder. Clapham. 29848.

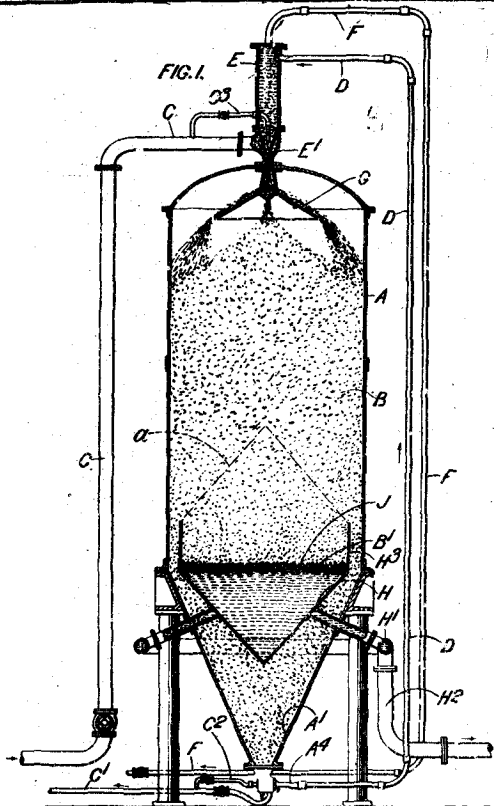


FIG. 1.

Filtering apparatus. Deacon, Gore, and The Palatine Engineering Coy. Ltd. 29755.

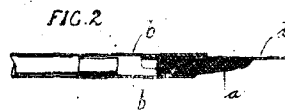
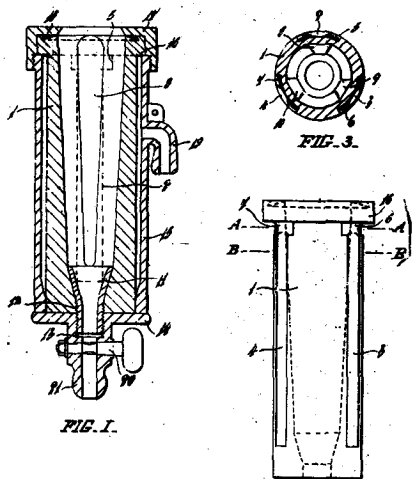
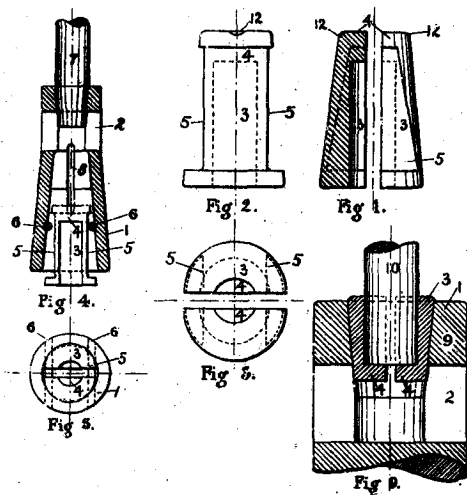


FIG. 2.

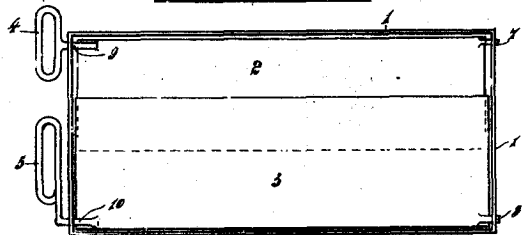
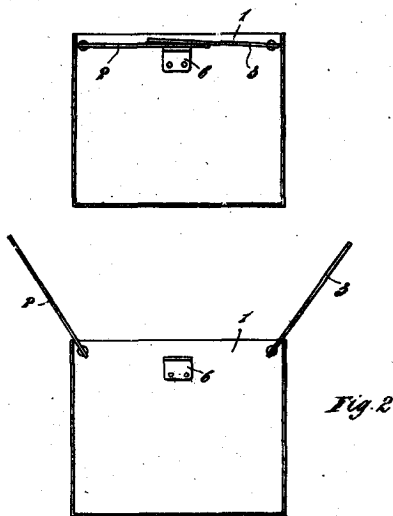
Pen-nib reservoir attachment. Sharp. 30118.



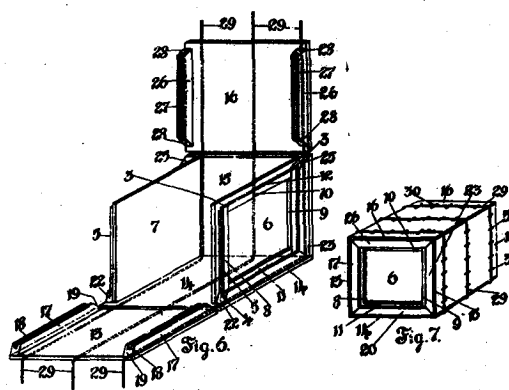
Teat cup. Eureka Milking Machine Co. Ltd.
(Droulge) 29904.



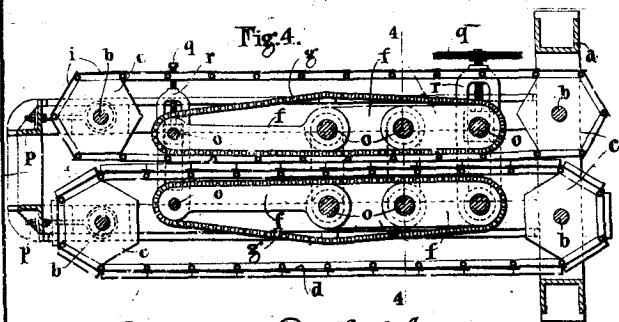
Drill chuck. Harding & Hunter. 29945.



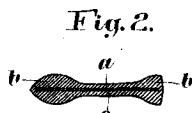
Ash-pan. Winkelmann. 29962.



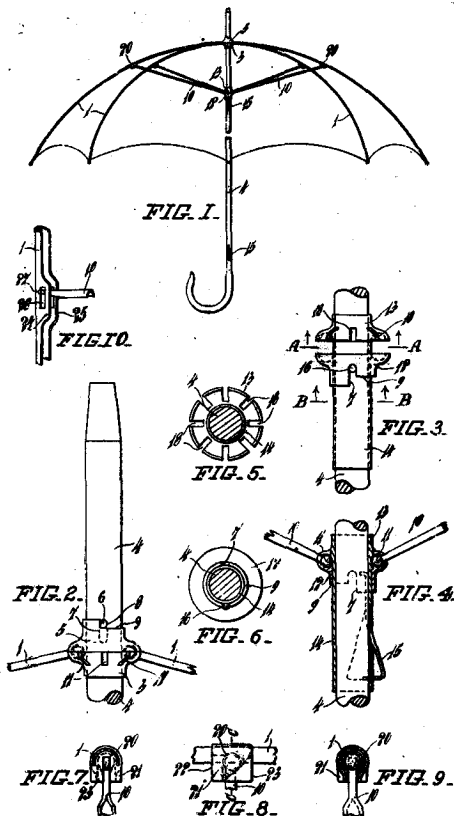
Wire-bound box. Starrock (Pice). 30025.



Band-press. Peat Coal Investment
Co. Ltd. (Jestrup) 30076



Suppository. British Drug Houses, Ltd.
(Brown). 30031.



Umbrella. Rasmussen. 30049.